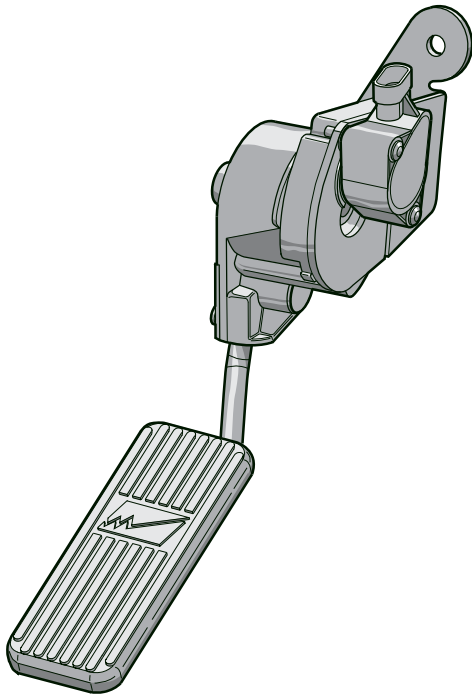


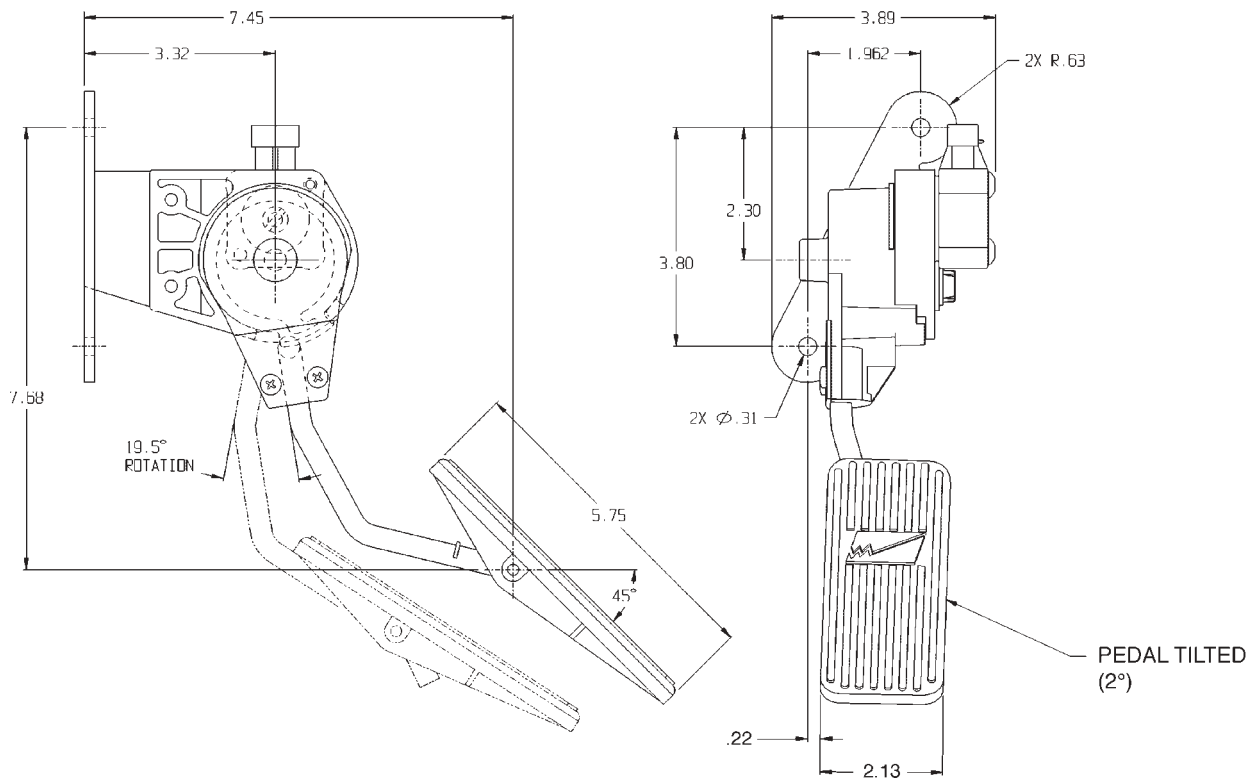
# WM540 Suspended Electronic Accelerator Pedal

## Features and Specs


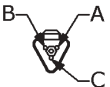


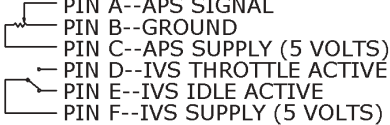



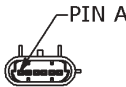
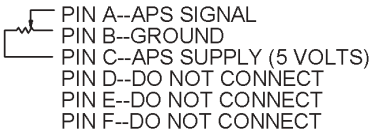
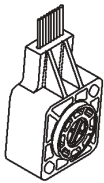
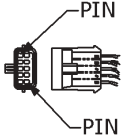
- FMVSS-124 approved
- Weight: 3 lb (1,36 kg)
- Sensor outputs conform to engine manufacturer specifications



## Dimensional Data



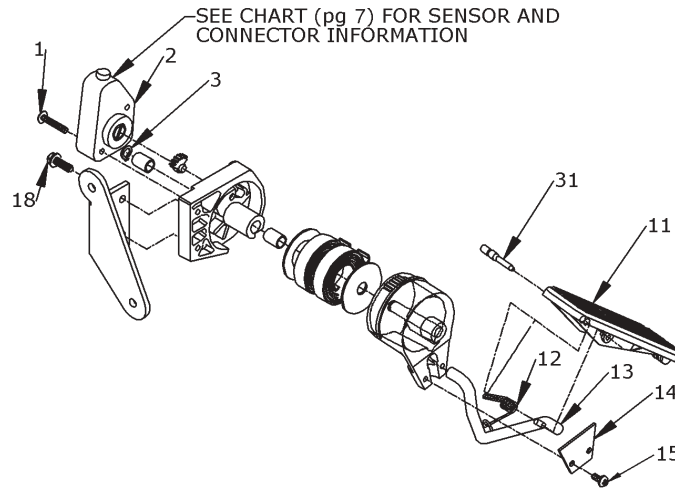
## Sensor & Connector Information

PEDAL PART NUMBER	SENSOR HOUSING*	CONNECTOR	PIN LEGEND
CATERPILLAR: 131508		DEUTSCH "DT" CONNECTOR  	PIN A---RED-----VS PIN B---BLACK---GROUND PIN C---WHITE---SIGNAL
CUMMINS, DDEC III** 131507		PACKARD ELECTRIC  	 PIN A--APS SIGNAL PIN B--GROUND PIN C--APS SUPPLY (5 VOLTS) PIN D--IVS THROTTLE ACTIVE PIN E--IVS IDLE ACTIVE PIN F--IVS SUPPLY (5 VOLTS)
DDEC II: 131506  DDEC III: 131549		PACKARD ELECTRIC "METRI PACK"  	PIN C--WHITE--GROUND PIN B--BLACK--APS SIGNAL PIN A--RED-----SUPPLY
JOHN DEERE DIESEL: 131814		PACKARD ELECTRIC  	 PIN A--APS SIGNAL PIN B--GROUND PIN C--APS SUPPLY (5 VOLTS) PIN D--DO NOT CONNECT PIN E--DO NOT CONNECT PIN F--DO NOT CONNECT
JOHN DEERE CNG: 132430		PACKARD ELECTRIC "METRI PACK"  	PIN A--WHITE---FPP1 GROUND PIN B--BROWN--FPP1 SIGNAL (HIGH) PIN C--BLUE-----FPP1 SUPPLY PIN D--VIOLET---SWITCH (NO) PIN E--YELLOW--SWITCH SUPPLY PIN F--ORANGE--SWITCH (NC) PIN G--N/A-----CAVITY PLUG PIN H--RED-----FPP2 SUPPLY PIN J--GREEN----FPP2 SIGNAL (LOW) PIN K--BLACK----FPP2 GROUND

\*Sensor housing may vary

\*\*Idle validation is an option for DDEC III applications

## Exploded View & Parts



Item	Part No.	Description	Caterpillar 131508	Cummins/Mercedes 131507	DDEC III & IV 131549	John Deere Diesel 131814	John Deere CNG 132430
1	132252	Screw	1	1	1	1	1
2	119454	Sensor			1		
2	131779	Diesel Sensor				1	
2	132354	Int Sensor		1			
2	132445	CNG Sensor					1
2	132446	Cat Sensor	1				
3	130567	Retaining Ring	1	1	1	1	1
11	131921	Pedal Pad	1	1	1	1	1
12	131510	Spring	1	1	1	1	1
13	131509	Pedal Arm	1	1	1	1	
13	132359	Pedal Arm					1
14	131358	Clamp	1	1	1	1	1
15	100110	Screw	2	2	2	2	2
18	118708	Screw	2	2	2	2	2
31	131512	Pedal Pin	1	1	1	1	1

Serviceable items are identified above.

## Service Kit Information

Part Number	Sensor Service Kit	Item Numbers
131508 Caterpillar	132484 8v	1, 2
131507 Cummins/Mercedes North America	131973	1, 2
131549 DDEC III & IV	130800	1, 2
131814 John Deere Diesel	132737	1, 2
132430 John Deere CNG	132739	1, 2

## To Order

To order a WM540 model, select part number from the chart below.

Engine Application	Part Number	Idle Validation Switch
Caterpillar	131508	No
Cummins/Mercedes North America	131507	Yes
DDEC III & IV w/o IVS	131549	No
John Deere Diesel	131814	Yes
John Deere CNG	132430	Yes